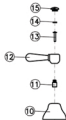
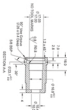
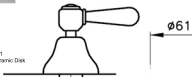




Z26112 Classical Provincial MacKinley Handle

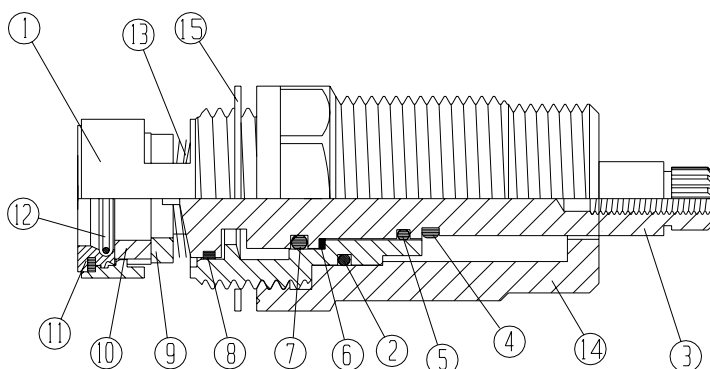
WMKA02001
Reference 1/4 Turn Ceramic Disk



10	Plate	Ø61x115x115mm CLASSIC
14	O-Ring	Ø61x115
15	Screw	Ø61x115 STAINLESS STEEL
12	Handle	Ø61x115x115mm CLASSIC
11	Extension for valve	Ø61x115x115mm CLASSIC
10	Cap	Ø61x115x115mm CLASSIC

REVISIONS

Rev.	Description	Date	Approved
A	Original Issue	26/11/09	



PRODUCT CERTIFICATION TO:-
AS 3718 (COMPONENTS) LIC.No.2001

List No.	Description	Quantity	Part No.	Material	Drawing No.
1	C Tec Bonnet Adjustable Depth - 23mm	1	2435	DR Brass	30191
2	'O' Ring 14 X 1.5	1	2057	Nitrile	4717
3	Spindle 110 Series 1/4 T N/R - 9.4 - CS&T M24/M26 - 70mm	1	2635.70	DR Brass	60881
4	Clip - PTRD - 104 034	1	2053	Brass	50094
5	'O' Ring 7.5 X 1.5	1	2220	Nitrile	4723
6	Thrust Washer Dia. 10.4 - PTRD 104 526	1	2222	Nyatron	50105
7	'O' Ring 9 x 2	1	2221	Nitrile	4724
8	Split Washer - PTRD 200 500	1	2051	Delrin	50093
9	Ceramic Disc 1/4 turn moving upper - PTRD 104 026	1	2073	Ceramic	50101
10	Ceramic Disc 1/4 turn fixed lower - PTRD 2317	1	2083	Ceramic	50102
11	Gasket Seal - PTRD 300 616 - Grey	1	2054	Silicon	50095
12	Gasket Ring PTRD 300613/01	1	2077	Delrin	52650
13	Noise Reducing Combined Screen 1/4T - PTRD 000024	1	2182	S.Steel 316	50104
14	Locknut C.Tec - CS&T M24/M26	1	2186	DR Brass	61108
15	Washer - Fibre, 28.6 OD x 23.0 ID	1	2196	Fibre	40211

PARTS LIST

<p>Quality System</p>	<p>Title C.TEC CARTRIDGE 110 SERIES 1/4 TURN ADJUSTABLE DEPTH NORMAL ROTATION SPINDLE - 9.4 - CS24 - 80mm LONG</p>					
	Material	Scale 1:1	Projection 1st Angle	Drawn By NP	EN No.	Date 27/11/09
	<p>RYEMETAL Pty. Ltd.</p> <p>270 WICKHAM ROAD, MOORABBIN - 3189 AUS. TEL : (03) 8531 2200 FAX: (03) 9532 2672</p>			PART No.	11047.80K44CS2	
	<p>Do Not Scale - Dimensional Tolerances: Millimeters ± 0.4 Decimals ± 0.1 Unless otherwise stated</p>			DRAWING No.	61481	
<p>ISO 9001 Lic 0953 Standards Australia</p>					SHEET SIZE A4	
					ISSUE A	