

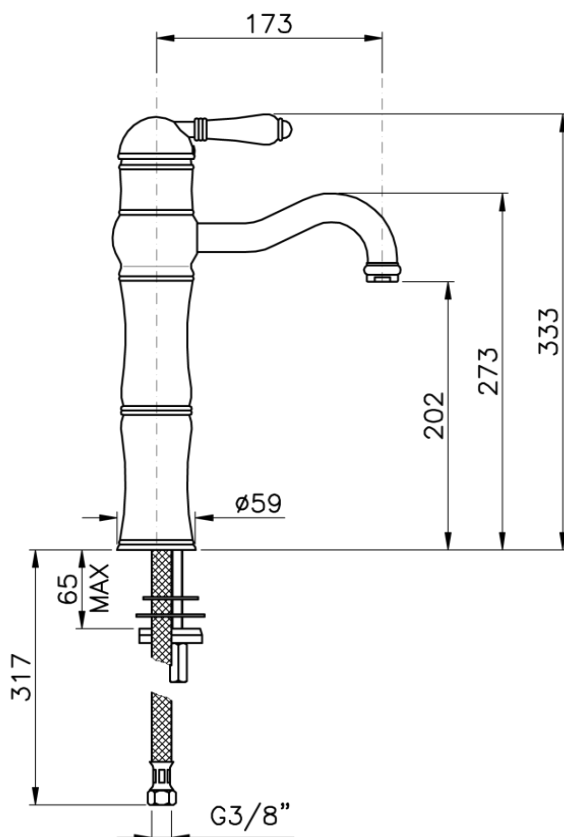


OFFICINA  
**NICOLAZZI**  
DAL 1960



**Single lever wash basin mixer**  
**Art: Z3472**

## Specifications



- Handmade in Italy since 1960
- 1/4 Turn valves handmade at Nicolazzi Factory
- Lead Free Brass Compliant to AZ/NZS 3718
- Suitable even and uneven pressure
- Handles are interchangeable



### Available replacement handles:



-75 El Capitan



-76 Mont Blanc



-76A M. Blanc Crackle



-76B M. Blanc Black



-33 Swarovski Crystal



WaterMark

WM22315

AS/NZS3662

Canterbury Sink & Tap Co.

Max/Min Operating  
Pressure: 100/500kPa

OFFICINA  
**NICOLAZZI**  
DAL 1960

## Important Notice    Model : Z3472

---

**CAREFULLY READ THROUGH THESE INSTRUCTIONS BEFORE INSTALLATION AND USE OF ALL TAP WARE AND WALL VALVES**

### **INSTALLATION and WARRANTY INSTRUCTIONS**

#### **TECHNICAL INFORMATION**

All flexible hoses are designed and manufactured for use with water in exposed locations only. Do not expose to household cleaners, chlorine, chloride, hydrochloric acid or other corrosive chemicals.

All connections with threads M10x1 male must be hand tighten. Do not over tighten. Over tightening may cause damage to the hose.

All tap ware washers and o-rings are designed and manufactured for use with water. Do not expose to household cleaners, chlorine, chloride, hydrochloric acid or other corrosive chemicals.

Our tap ware is designed for use with the temperatures and pressures listed below:

- minimum cold water supply 10 °C
- maximum hot water supply 62 °C
- minimum pressure 100 kPa
- maximum pressure 500 kPa
- maximum fixing torque value = 13.6 Nm

Please note: The recommended pressure for best performance is between 270 kPa and 420 kPa. More pressure than 420 kPa or less pressure than 270 kPa may affect the diverting action in side spray tap ware.

Do not use any Nicolazzi tap ware with sulphurous water.

The minimum temperature for all tap ware is 10 degrees Celsius . Below 10 degrees Celsius will void the warranty.

When available, filter systems must be placed between hot and cold supply lines and the tap ware. Improper use or non-use of filters may make diverting tap ware with hand sprays perform poorly.

Don't modify the tap ware and their components.

Use only original spare parts if there are replacements to be ordered. Installation must be made by authorized plumbers or installers. Improper installation or diagnosis of problems is not covered by the warranty. Yearly maintenance of cleaning and flushing is recommended.

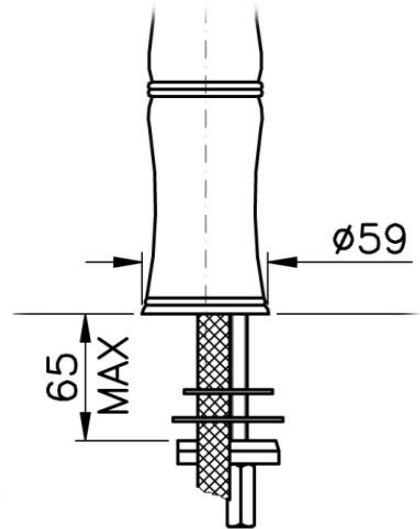
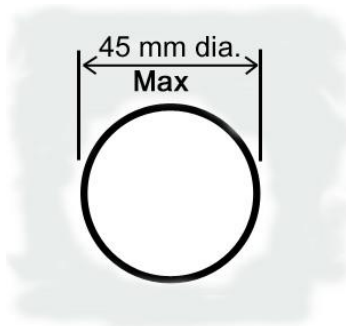
Operation and use of any tap ware or wall valve that do not conform to these technical instructions will void the warranty.

# Installation Instructions    Model : Z3472

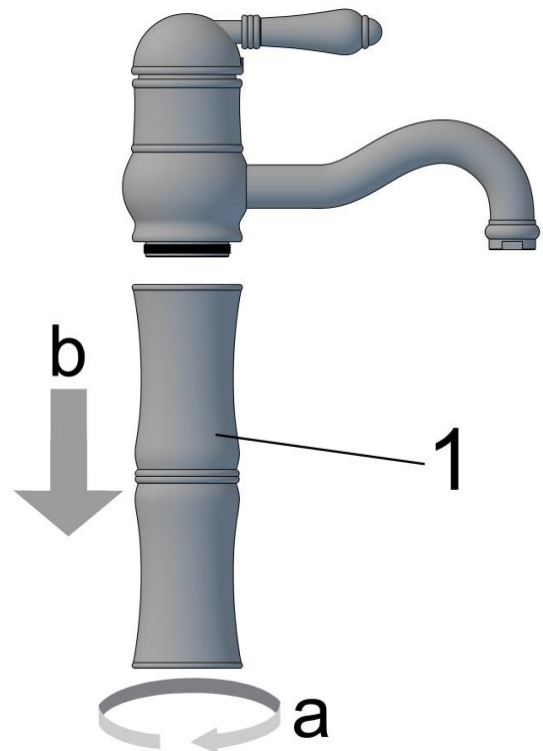
## 1 Preparation

### Tap body

- Flush out the pipework to remove any foreign matter.
- Tap body cut out hole sizes : Maximum **45mm** diameter.
- Under side clearance : Maximum **65mm**  
( **Note:** Tapware base diameter **59mm**)



- 2
- Unscrew the tapware body base section **1**, from the tap spout section. Unscrew the base section in a counter clockwise direction, and then separate the two sections from each other.



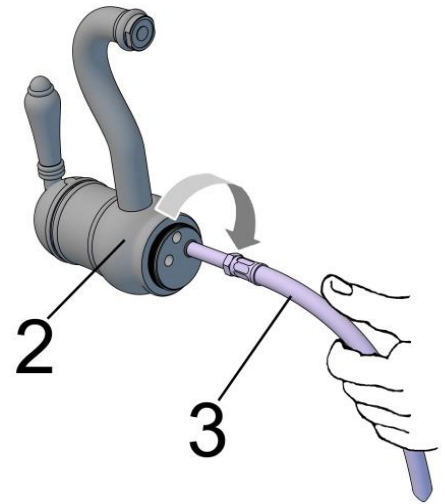
Continue.....

## Installation Instructions

## Model : Z3472

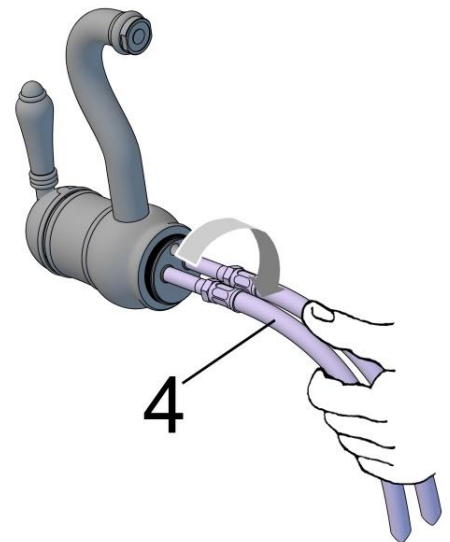
- 3 ▪ Install the water supply hose 3, into tap the body 2.

- Note: Hand tighten only, **DO NOT** over tighten- 3!



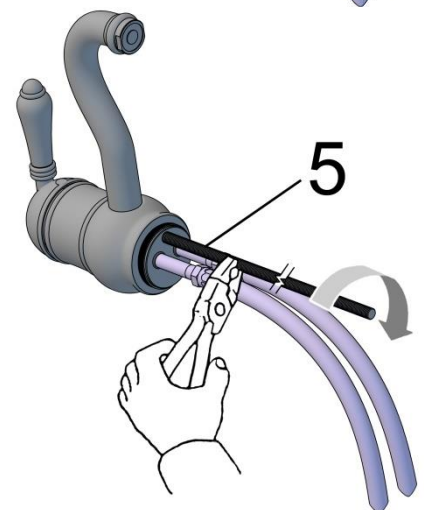
- 4 ▪ Install the second water supply hose 4, on to tap body 2.

- Note: Hand tighten the supply hose only, **DO NOT** over tighten- 4!



- 5 ▪ Install the supplied mounting stud 5, and verify that it is securely installed.

- Note: **DO NOT** over tighten- 5!

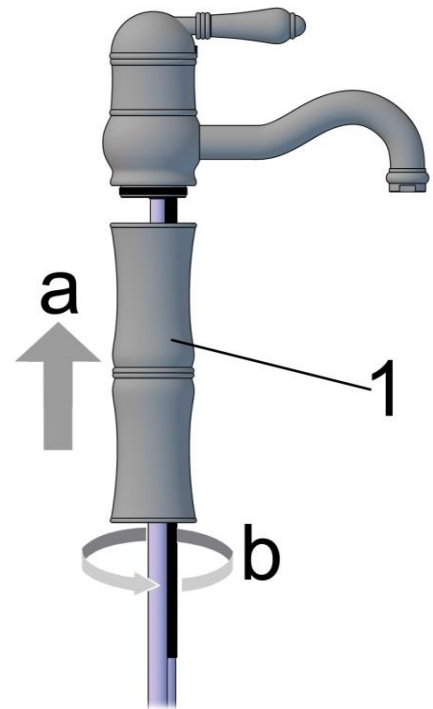


Continue.....

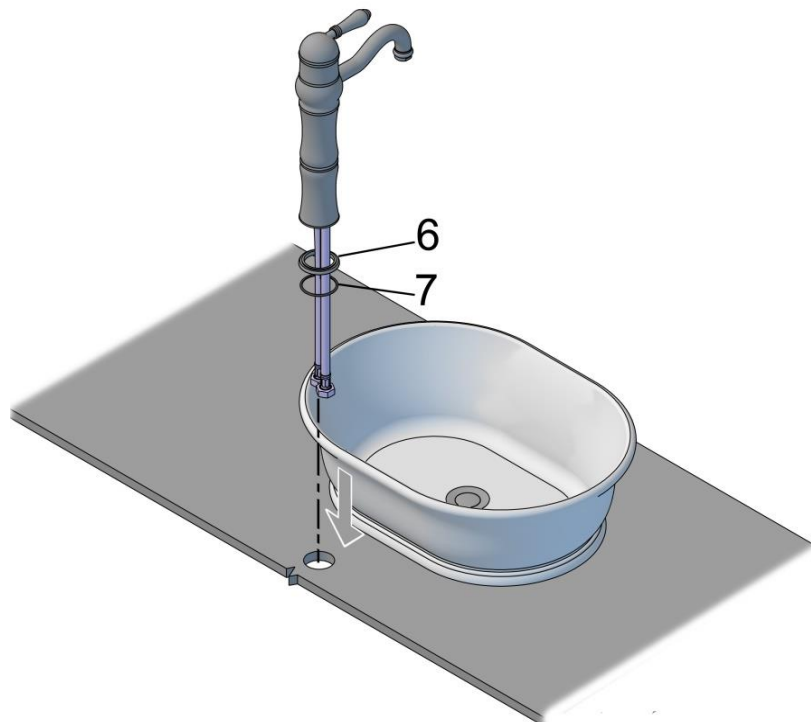
## Installation Instructions

## Model : Z3472

- 6
- Feed the flexi tail ends through the top end of the base section 1.
  - Slide the base section all the way up to the thread section of the tapware spout top section.
  - In a clockwise motion, screw the base section securely on to the top section.



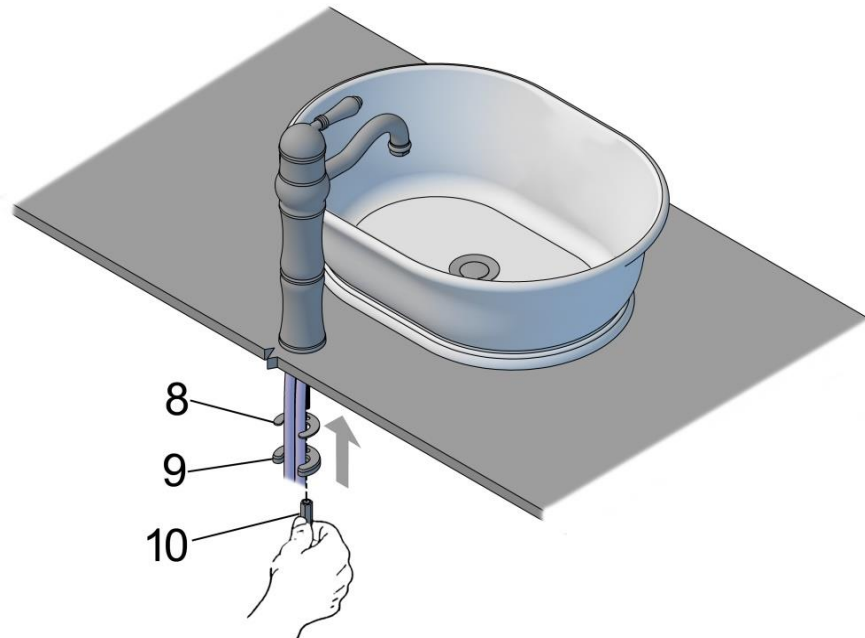
- 7
- Feed the tapware base ring 6, and the O-ring 7, over the water supply hoses.
  - **Note:** Feed the water supply hoses through the cut out hole ensuring that they are not bent or kinked, as this could result in permanent damage or leakage. Locate the tap over the mounting hole carefully.



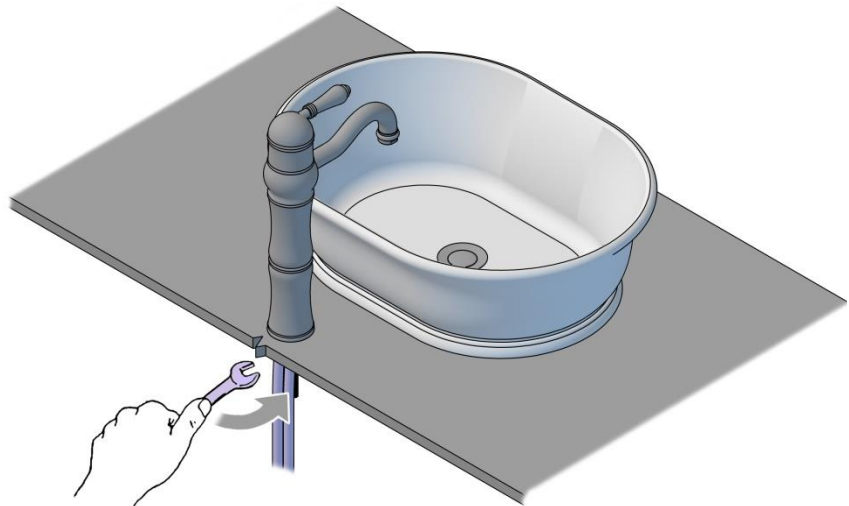
Continue.....

## Installation Instructions      Model : Z3472

- 8
- Under the counter top, stack the supplied half ring rubber gasket **8**, above the half ring mounting plate **9**, and feed them onto the stud. Then screw the mounting nut **10**, onto the stud. Screw the mounting stud until the half ring rubber mates up with the underside of the counter top.



- 9
- Check the position of the tapware on the counter top, then tighten the nut using a 13mm spanner or smooth jawed shifter.
  - Note:** The under counter mounting surface must be flat. If the mounting surface is irregular, the nut may not be secured, and the tap will be loose on the counter top.



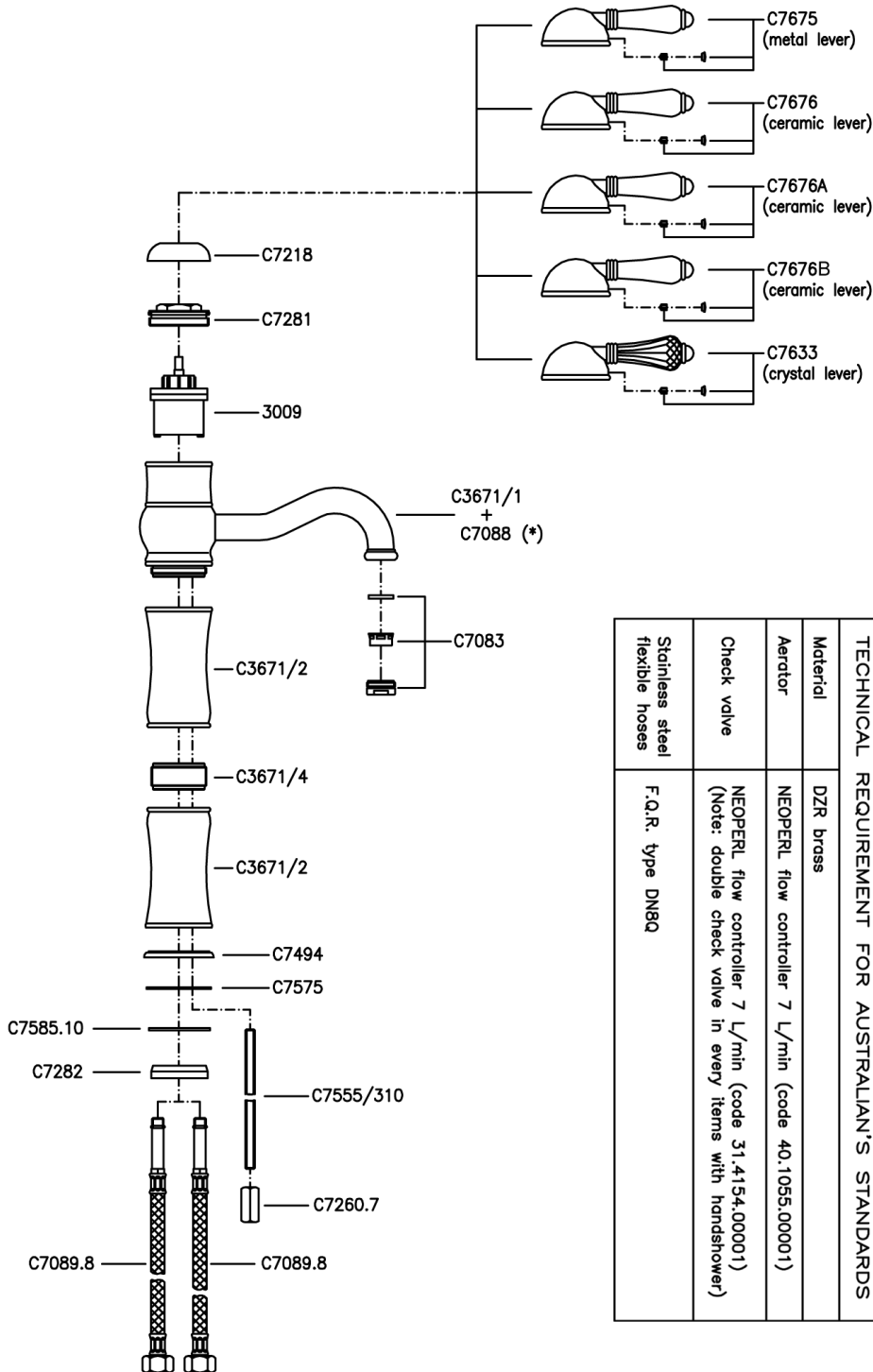
### Before use

- Turn on the Hot and Cold supplies to the tap.
- Maximum temperature for Hot water supply to the tapware is 62 °C.
- Minimum recommended pressure is 100 kPa — Maximum recommended pressure is 500 kPa.
- Check the installation carefully for leaks.
- If further building work is to be carried out in the vicinity of the tapware, it should be covered to prevent paint, adhesive, etc. from damaging the surface.

Continue.....

# Spare Parts list Model : Z3472

## SPARE PARTS



TECHNICAL REQUIREMENT FOR AUSTRALIAN'S STANDARDS	
Material	DZR brass
Aerator	NEOPERL flow controller 7 L/min (code 40.1055.00001)
Check valve	NEOPERL flow controller 7 L/min (code 31.4154.00001) (Note: double check valve in every items with handshower)
Stainless steel flexible hoses	F.Q.R. type DN80

(\*) NOT AVAILABLE AS SPARE PART

## Care and Maintenance Instructions Model : Z3472

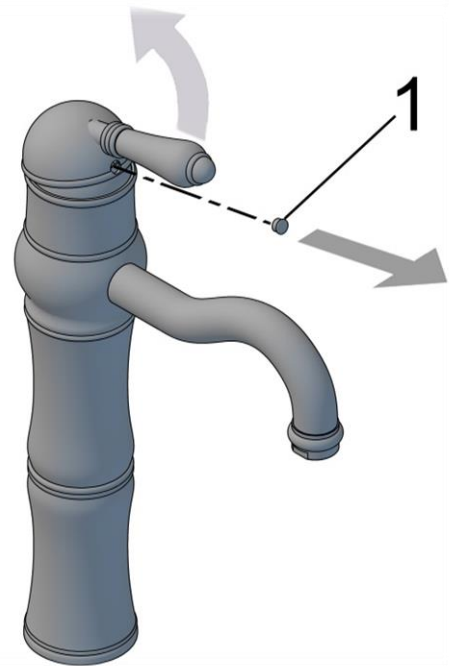
### MAINTENANCE FOR SINGLE HOLE/SINGLE LEVER TAPWARE

#### INSTRUCTIONS FOR REPLACEMENT OF THE CARTRIDGE

Do not replace the cartridge if there is low flow or no flow. Low flow or no flow is caused by obstruction or kinking of supply hoses.

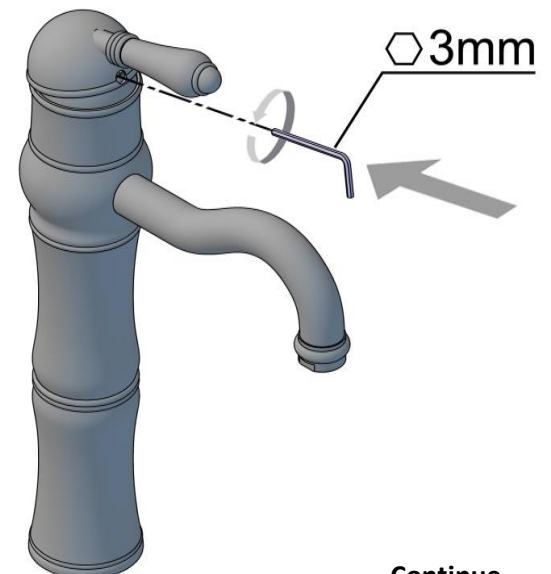
1

- Turn off the hot and cold supply lines to the tap set. (Not shown).
- Rotate the dome handle upwards and remove the indice **1**, using a small screw driver or small flat tipped ridged object.



2

- Insert a 3mm Allen key into the access recess and gently loosen the M6 grub screw.



Continue.....



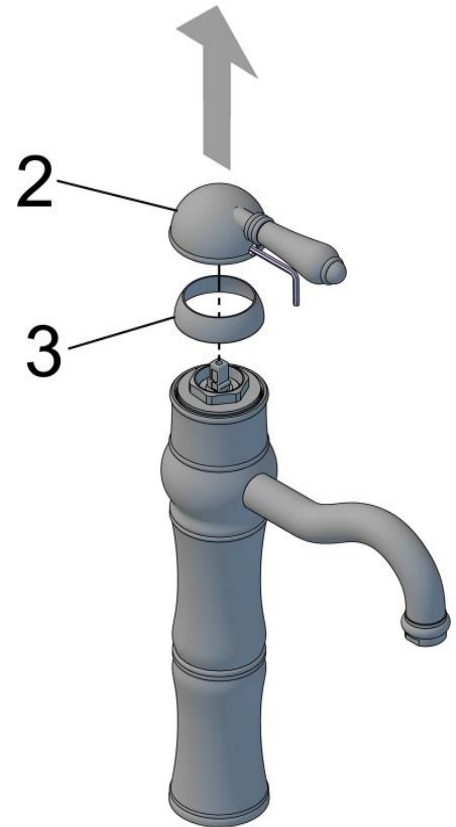
## Care and Maintenance Instructions Model : Z3472

### MAINTENANCE FOR SINGLE HOLE/SINGLE LEVER TAPWARE

3

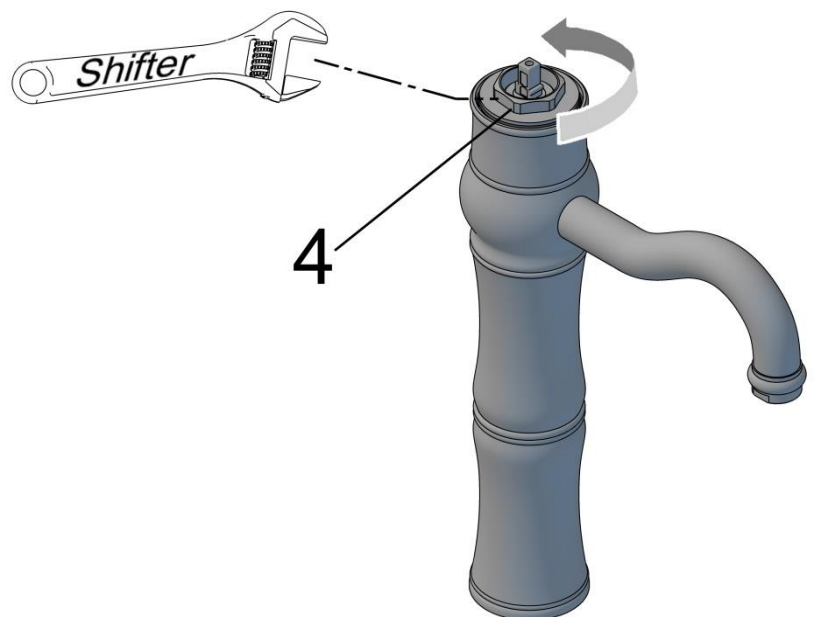
- Lift the Dome handle 2, off the cartridge lever.
- Next remove the r nut cover cap ring 3, and expose the cartridge nut below.

**RECOMMENDATION: SHOULD YOU NOT BE REPLACING THE DOME HANDLE, BUT ONLY THE CARTRIDGE, THEN LEAVE THE 3MM ALLEN KEY IN THE M6 GRUB SCREW FOR EASIER REFFITEMNT OF THE DOME HANDLE.**



4

- Using a smooth jawed shifter, loosen the cartridge nut 4.



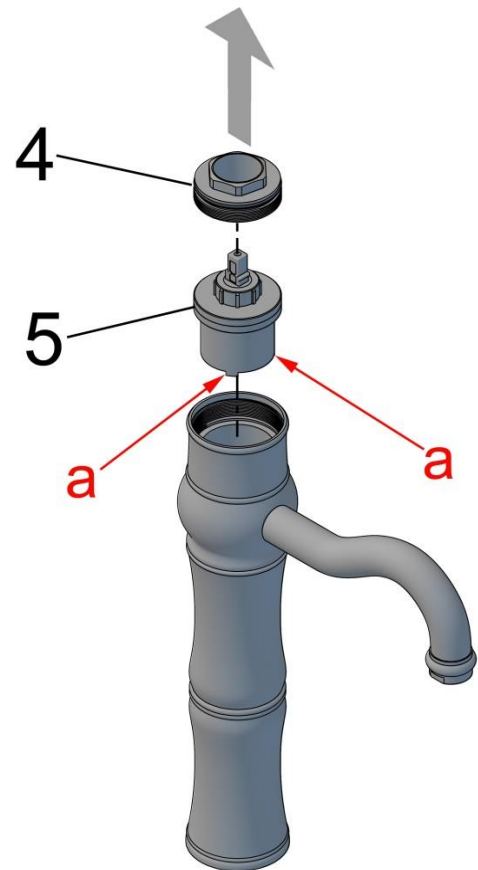
Continue.....

## Care and Maintenance Instructions Model : Z3472

### MAINTENANCE FOR SINGLE HOLE/SINGLE LEVER TAPWARE

5

- Remove the cartridge nut 4.
- Pull the cartridge 5, from the tap body.



6

### REFITTING THE CARTRIDGE

- Reverse the process indicated above.
- When refitting the cartridge, take note of the two alignment tabs “a”, on the base of the cartridge. Ensure that the tabs align correctly with the alignment locators in the tapware.
- Once all the components are in place, turn on the water supply and check for any leaks.

**NOTE: Do not overtighten the cartridge nut, as this could damage the cartridge!**

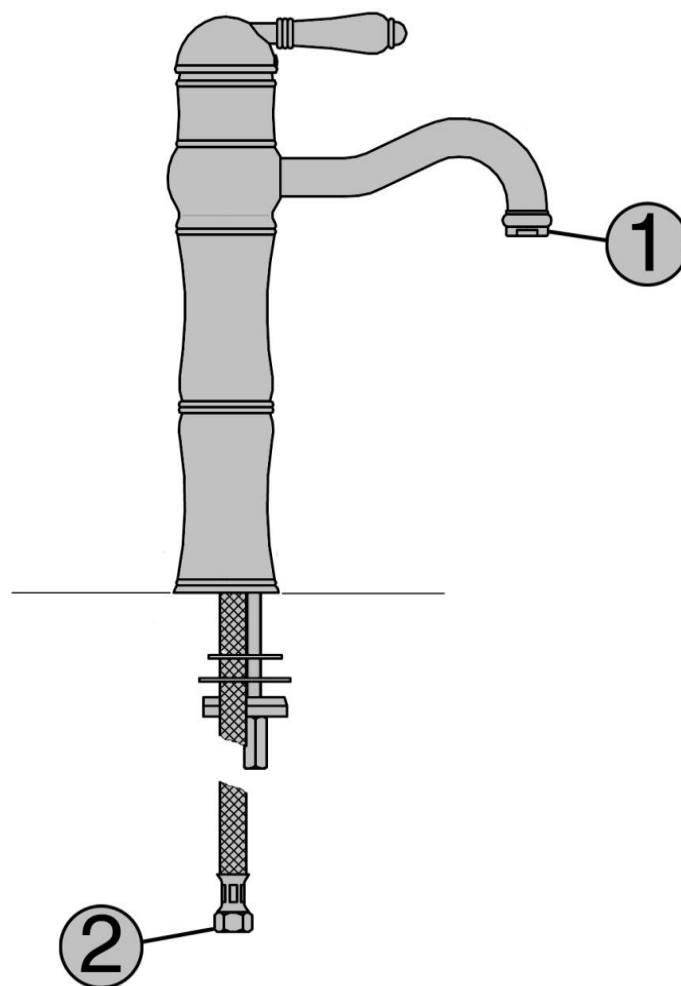
## Care and Maintenance Instructions Model : Z3472

### LOW FLOW OR NO FLOW TROUBLESHOOTING INSTRUCTIONS

Current bathroom taps have a max flow rate of 7 Litres per minute from the aerator and the hand spray.

If you are experiencing low flow from the spout: **Do not change the cartridge**

- Unscrew and clean the aerator -1
- Check the supply lines for kinks or obstructions-2
- Make sure the supply line stops are fully on. (Not shown.)



## Care and Maintenance Instructions Model : Z3472

---

### Care of external finishes

Nicolazzi products are all authentic finishes that have not been coated with any product. After each use, pat the fixture down to remove any excess water. This will prevent any water spotting or mineral build-up. Use only soft liquid soap and water to clean the surface. Use a soft brush to clean any gaps. Avoid any products that have ammonia or alcohol like Windex, Jif or Ajax. These products can damage the finish leaving black or white spots. Never use on abrasive products on tap ware or this will void the warranty.

Live Finishes DO NOT carry a warranty as they are living finishes and will change over time.

Raw Brass, Brush Brass (To make the brass lighter again rub the brass tap with lemon juice, this will lighten the dark colouring).

Shiny Brass, Polished Nickel has an ageing process and will tarnish over time.

Tuscan Brass is a living finish and also carries NO warranty. It will lighten with use. To extend the life of the finish, apply Bruno's Wax by patting it on, letting it dry and patting it off. Never rub or buff this finish.

**WARNING:** The use of cleaning products not recommended might irreparably harm the surfaces of the tap, which in such cases are not covered by our warranty.

### Lime scale build up

The tap is fitted with an aeration device in the Hot/Cold water outlet.

This may need occasional cleaning especially in hard water areas.

This is accomplished by unscrewing the outlet in a counter clockwise direction, dismantling and leaving the inner screen mesh immersed over night in vinegar