

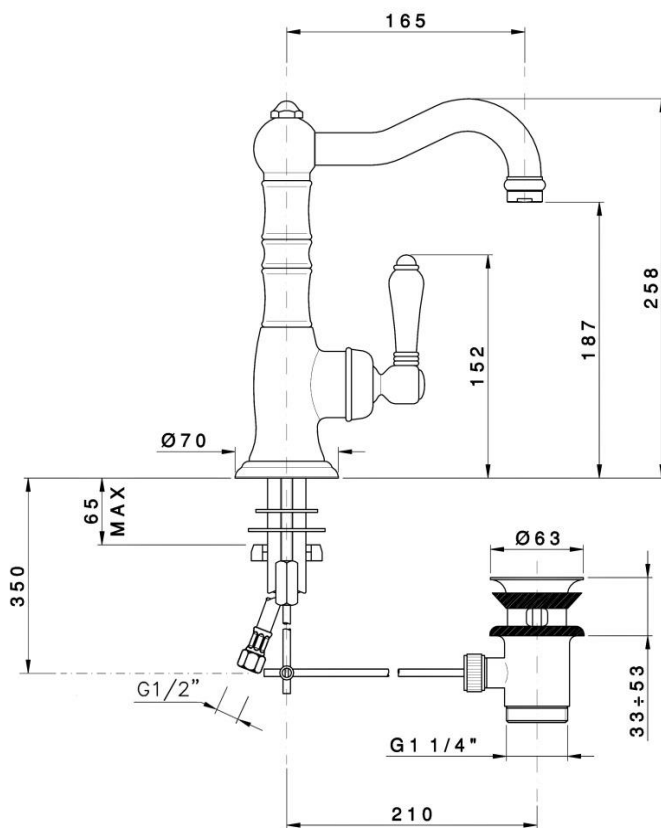


OFFICINA
NICOLAZZI
DAL 1960



Single Lever basin mixer – Pivoting tube
Art: Z3458

Specifications



Available replacement handles:



--75P



--76P

- Handmade in Italy since 1960
- 1/4 Turn valves handmade at Nicolazzi Factory
- Lead Free Brass Compliant to AZ/NZS 3718
- Suitable even and uneven pressure
- Handles are interchangeable



WaterMark

WM22315

AS/NZS3662

Canterbury Sink & Tap Co.

Max/Min Operating Pressure: 100/500kPa

OFFICINA
NICOLAZZI
DAL 1960

Important Notice Model : Z3458

CAREFULLY READ THROUGH THESE INSTRUCTIONS BEFORE INSTALLATION AND USE OF ALL TAP WARE AND WALL VALVES

INSTALLATION and WARRANTY INSTRUCTIONS

TECHNICAL INFORMATION

All flexible hoses are designed and manufactured for use with water in exposed locations only. Do not expose to household cleaners, chlorine, chloride, hydrochloric acid or other corrosive chemicals.

All connections with threads M10x1 male must be hand tighten. Do not over tighten. Over tightening may cause damage to the hose.

All tap ware washers and o-rings are designed and manufactured for use with water. Do not expose to household cleaners, chlorine, chloride, hydrochloric acid or other corrosive chemicals.

Our tap ware is designed for use with the temperatures and pressures listed below:

- minimum cold water supply 10 °C
- maximum hot water supply 62 °C
- minimum pressure 100 kPa
- maximum pressure 500 kPa
- maximum fixing torque value = 13.6 Nm

Please note: The recommended pressure for best performance is between 270 kPa and 420 kPa. More pressure than 420 kPa or less pressure than 270 kPa may affect the diverting action in side spray tap ware.

Do not use any Nicolazzi tap ware with sulphurous water.

The minimum temperature for all tap ware is 10 degrees Celsius . Below 10 degrees Celsius will void the warranty.

When available, filter systems must be placed between hot and cold supply lines and the tap ware. Improper use or non-use of filters may make diverting tap ware with hand sprays perform poorly.

Don't modify the tap ware and their components.

Use only original spare parts if there are replacements to be ordered. Installation must be made by authorized plumbers or installers. Improper installation or diagnosis of problems is not covered by the warranty. Yearly maintenance of cleaning and flushing is recommended.

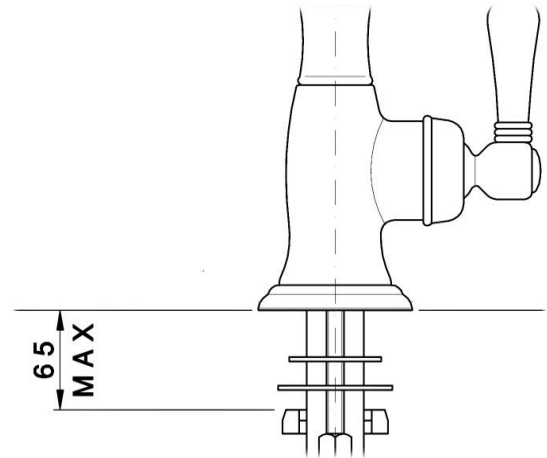
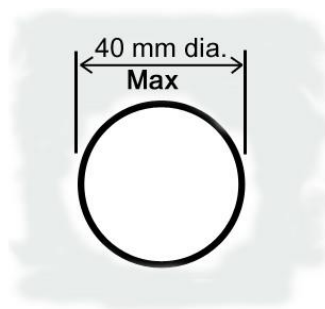
Operation and use of any tap ware or wall valve that do not conform to these technical instructions will void the warranty.

Installation Instructions Model : Z3458

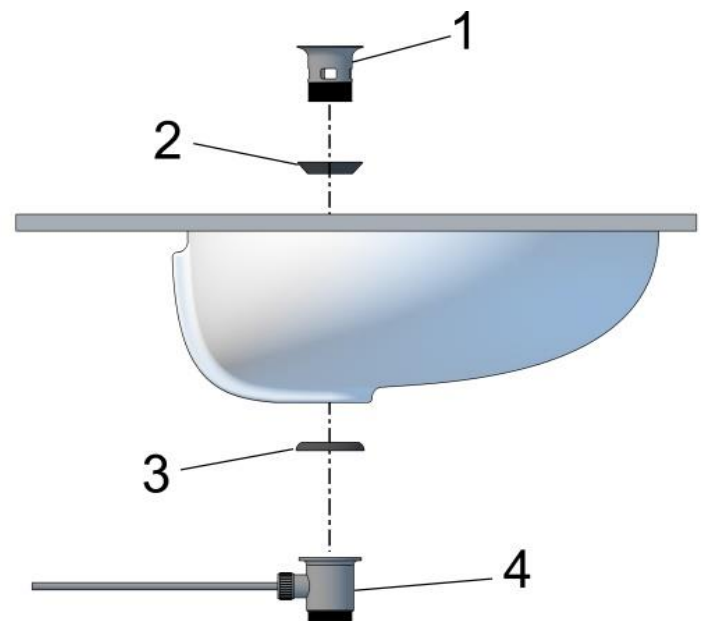
1 Preparation

Tap body

- Flush out the pipework to remove any foreign matter.
- Tap body cut out hole sizes : Maximum **40mm** diameter.
- Under side clearance : Maximum **65mm**



- 2
- Install the pop-up waste body top section **1**, and waste body bottom section **4**, to the basin as shown.
 - Ensure that the top seal **2**, and bottom seal **3**, are installed correctly, to ensure proper functioning of the pop-up waste system and prevent any water leakage.



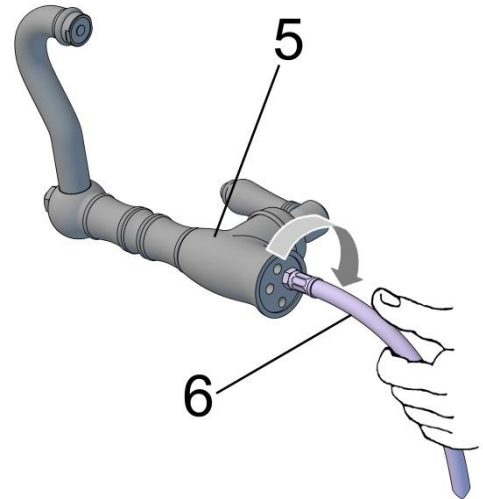
Continue.....

Installation Instructions

Model : Z3458

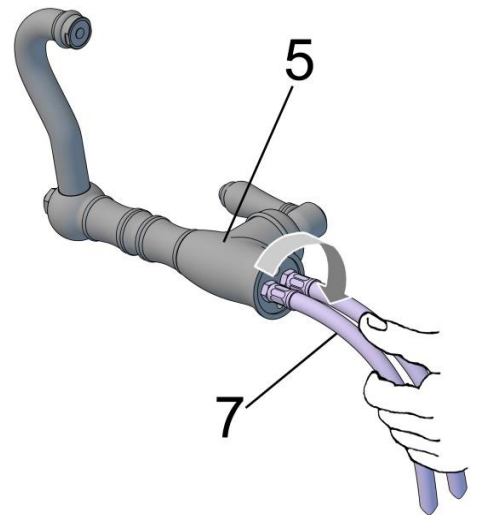
- 1 ▪ Install the water supply hose 6, into tap the body 5.

- Note: Hand tighten only, **DO NOT** over tighten- 6!



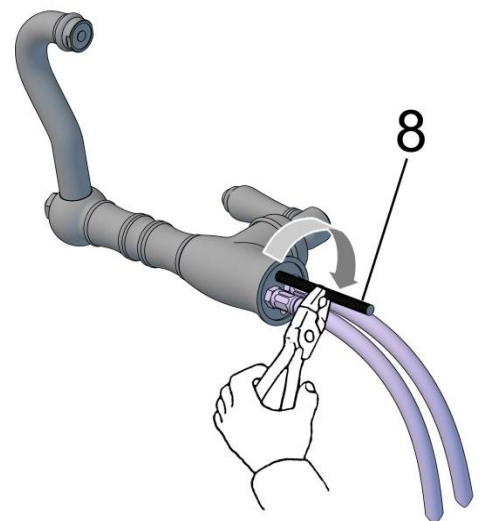
- 2 ▪ Install the second water supply hose 7, on to tap body 5.

- Note: Hand tighten the supply hose only, **DO NOT** over tighten- 7!



- 3 ▪ Install the supplied mounting stud 8, and verify that it is securely installed.

- Note: Hand tighten the supply hose only, **DO NOT** over tighten- 8!

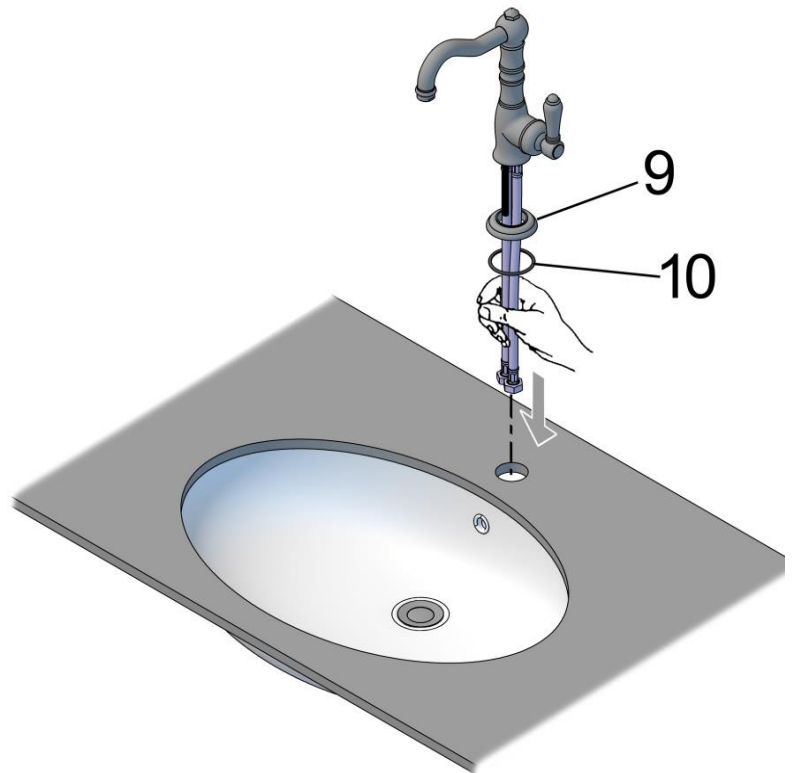


Continue.....

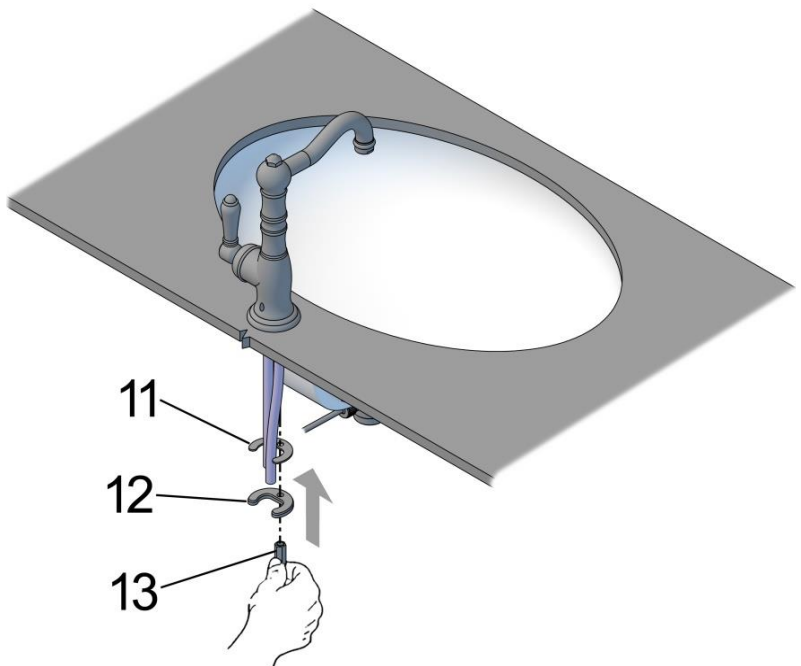
Installation Instructions

Model : Z3458

- 4
- Feed the tap base ring **9**, and the O-ring **10**, over the water supply hoses.
 - Note:** Feed the water supply hoses through the cut out hole ensuring that they are not bent or kinked, as this could result in permanent damage or leakage. Locate the tap over the mounting hole carefully.



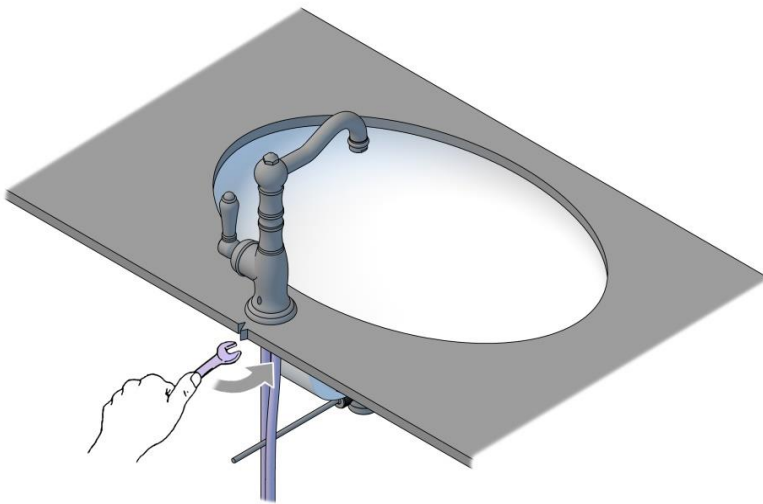
- 5
- Under the sink, stack the supplied half ring rubber gasket **11**, above the half ring mounting plate **12**, and feed them onto the stud. Then screw the mounting nut **13**, onto the stud. Screw the mounting stud until the half ring rubber mates up with the underside of the sink.



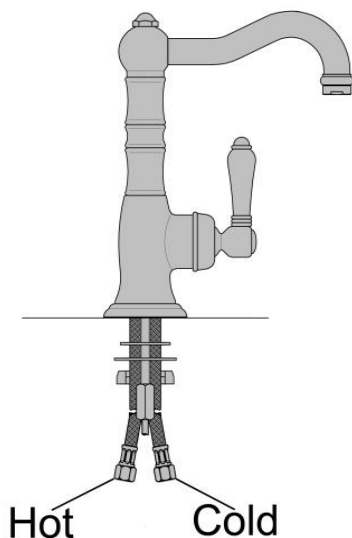
Continue.....

Installation Instructions Model : Z3458

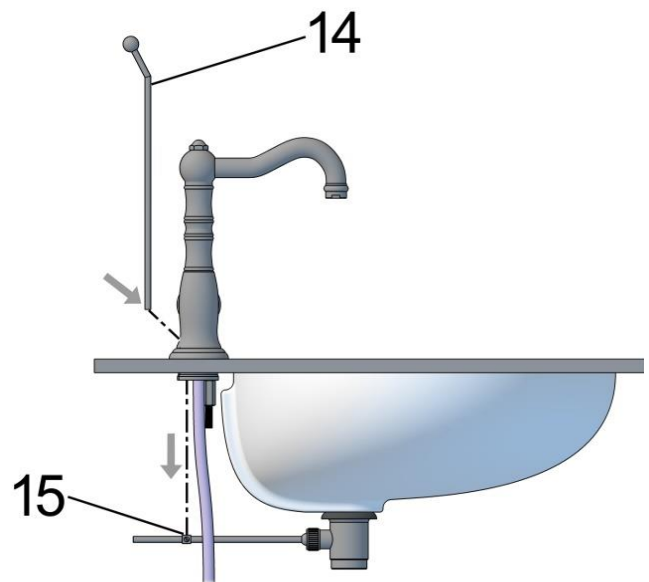
- 6**
- Check the position of the tap on the counter top, and then tighten the nut using a 13mm spanner or smooth jawed shifter.
 - Note:** The under counter mounting surface must be flat. If the mounting surface is irregular, the nut may not be secured, and the tap will be loose on the sink.



- 8**
- Connect hot and cold water supplies to the flexi tail hoses.
 - Ensure all connections are firmly tightened.



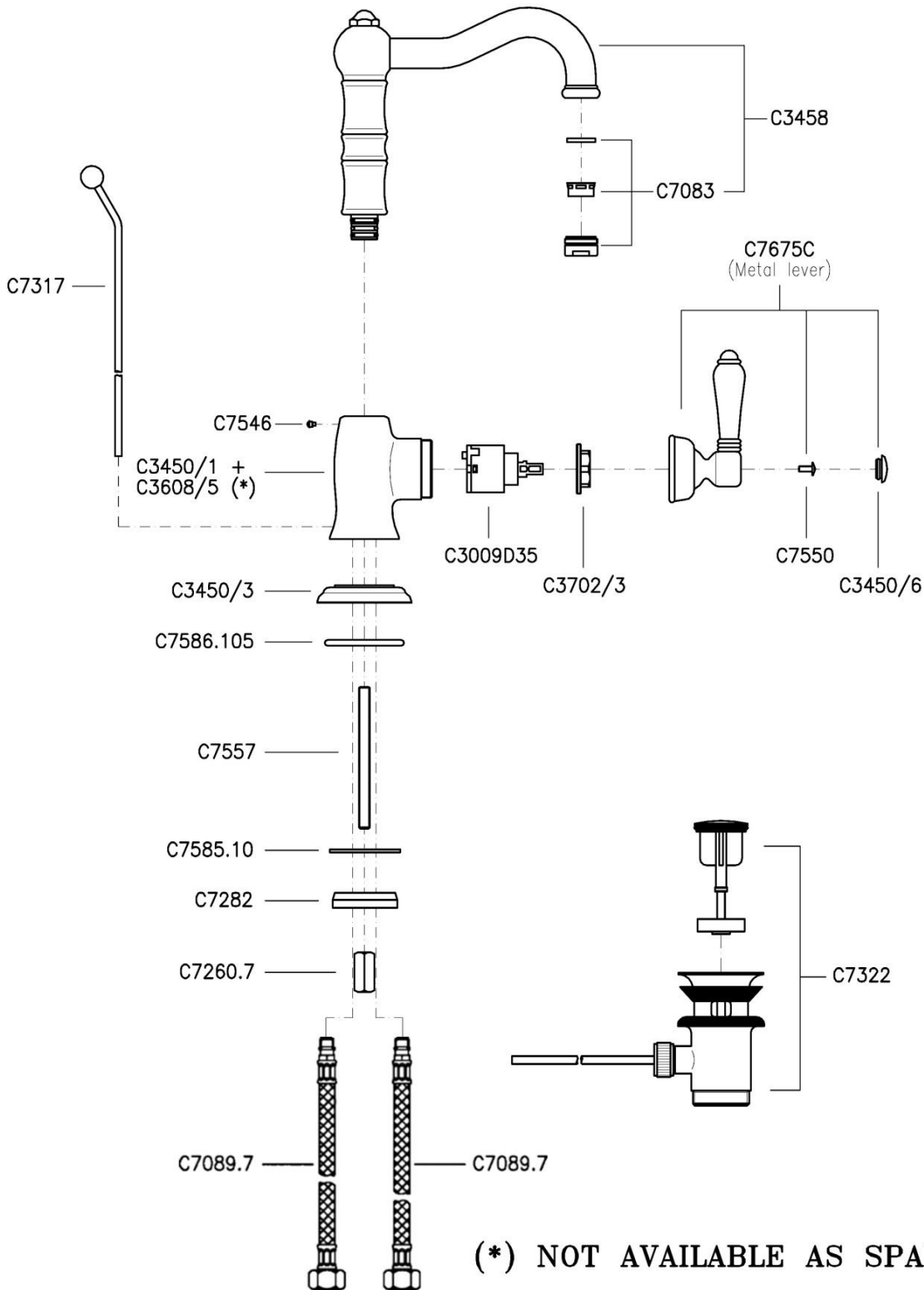
- 7**
- Install the vertical waste pop-up rod **14**, by feeding it through the hole in the top of the tap body.
 - Feed the bottom end of the vertical pop-up rod onto the articulated joint **15**, located on the horizontal waste pop-up rod.
 - Adjust the length of the vertical pop-up rod to ensure the proper working of the pop-up stopper.
 - Ensure that the locking screw on the articulated joint is firmly secured.



Before use

- Turn on the Hot and Cold supplies to the tap.
- Maximum temperature for Hot water supply to the tapware is 62 °C.
- Minimum recommended pressure is 100 kPa — Maximum recommended pressure is 500 kPa.
- Check the installation carefully for leaks.
- If further building work is to be carried out in the vicinity of the tapware, it should be covered to prevent paint, adhesive, etc. from damaging the surface.

Spare Parts list Model : Z3458

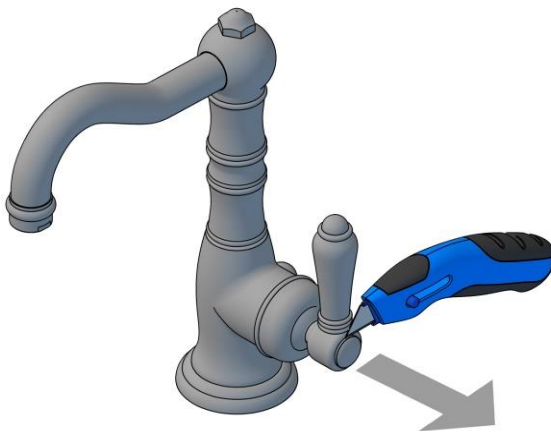


Care and Maintenance Instructions Model : Z3458

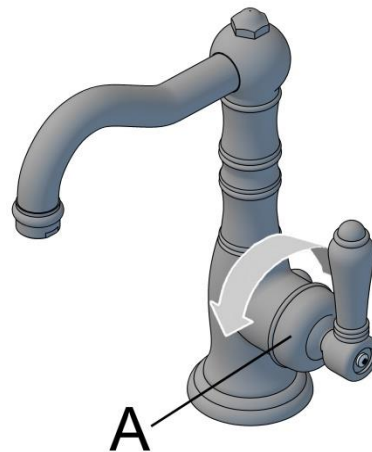
Removing and replacing a handle

MODEL SHOWN : Z3458

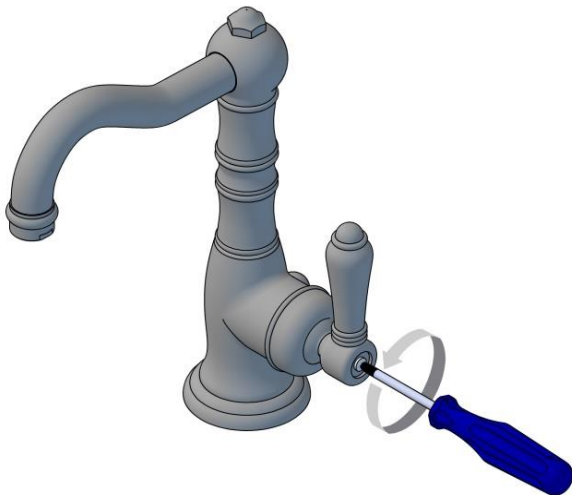
- 1 ▪ Using a box cutter or similar sharp edged tool, carefully remove the indice button.



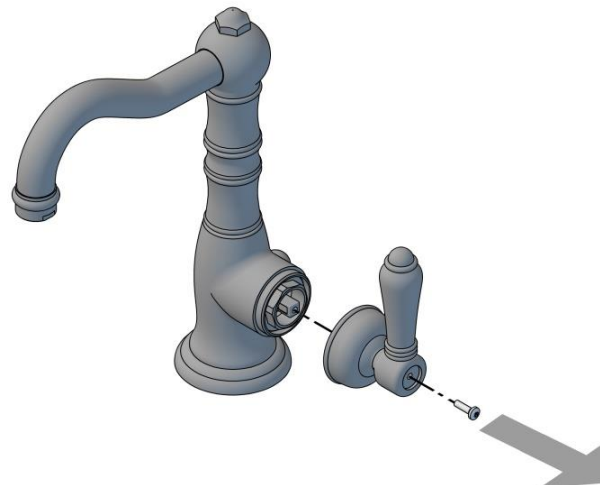
- 2 ▪ Hand loosen the retaining flange A .



- 3 ▪ Unscrew the retaining screw with a Phillips head screw driver.



- 4 ▪ Once the retaining screw is loose, simply remove the handle and retaining flange.



- 5 ▪ To reassemble, reverse the disassembly procedure, given above.
 ▪ The retaining flange only needs to be hand tight. Over tightening could damage the ceramic cartridge!

NOTE:-DO NOT USE A SHIFTER TIGHTEN BY HAND ONLY !

NOTE: At any time, should the handle feel loose, retighten the retaining flange and retaining screw.

Available replacement handles:

--75P

--76P

See our video: <https://youtu.be/mpdiKSEoznY>

Care and Maintenance Instructions

Model : Z3458

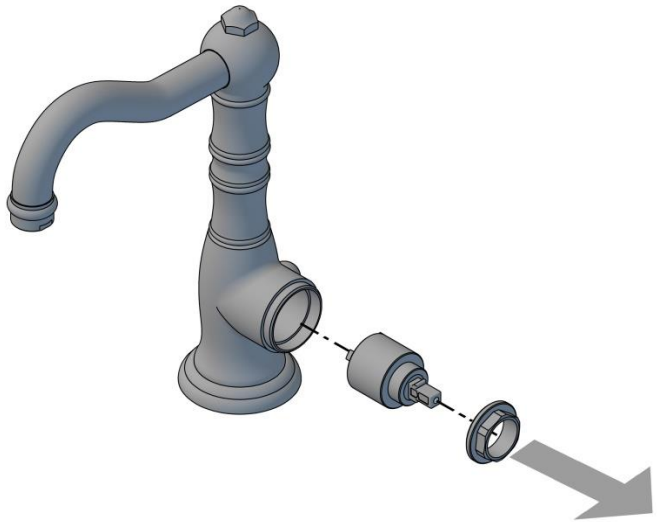
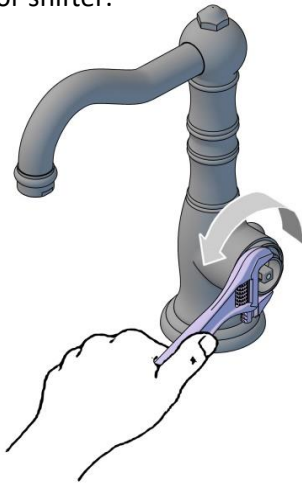
MAINTENANCE FOR SINGLE HOLE/ADORE SINGLE LEVER TAP WARE WITH ONE LEVER DESIGN

INSTRUCTIONS FOR REPLACEMENT OF THE C3009 CARTRIDGE

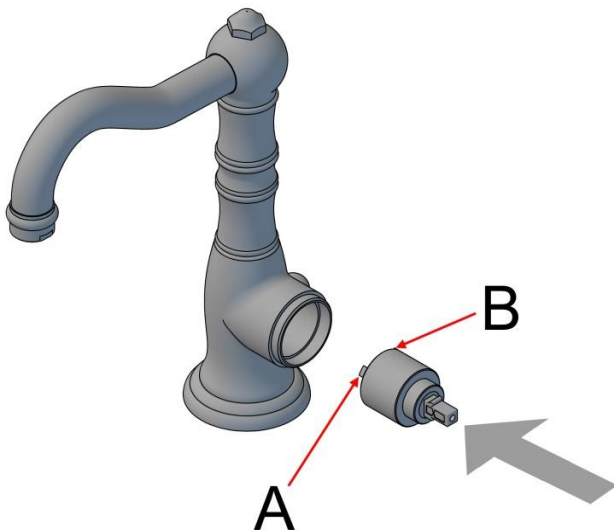
See also:- <https://youtu.be/mpdiKSEoznY>

Do not replace the cartridge if there is low flow or no flow. Low flow or no flow is caused by obstruction or kinking of supply hoses.

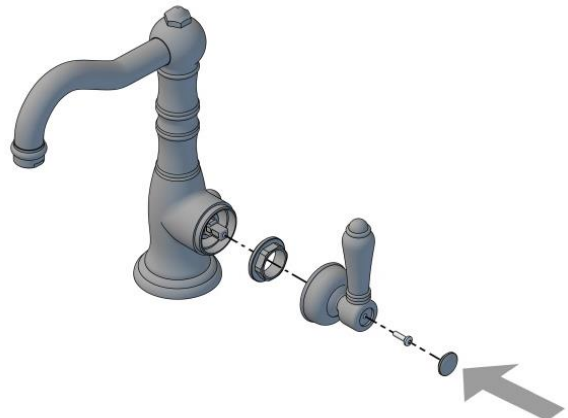
- 1
 - Turn off the hot and cold supply lines to the tap. (Not shown).
 - Remove handle as per **Removing/ Replacing handle** directions.
 - Remove the cartridge nut with a 27mm socket set or shifter.
- 2
 - Once the cartridge nut is loose; simply remove the cartridge by pulling it from cartridge seating position.



- 3
 - Install new cartridge.
 - Ensure that the cartridge is correctly located by inserting the alignment tabs **A** and **B**, into the alignment slots.



- 4
 - To reinstall simply reverses the above procedure.
 - Install the handle, retaining flange and retaining screw. **DO NOT USE A SHIFTER TIGHTEN BY HAND ONLY!**
 - Turn on supply line and test for leaks. (Not shown).



Note: Do not over tighten as this could damage the ceramic cartridge!

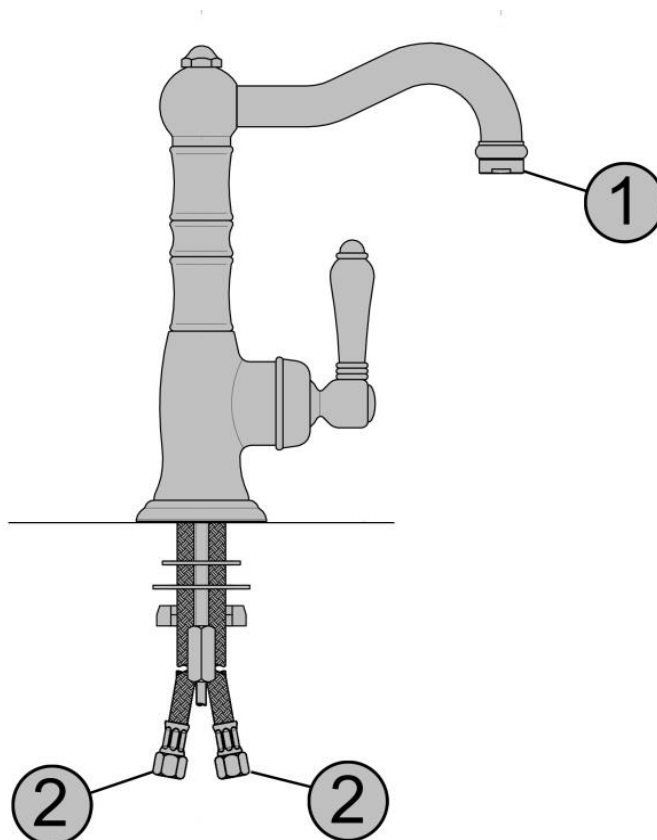
Care and Maintenance Instructions Model : Z3458

LOW FLOW OR NO FLOW TROUBLESHOOTING INSTRUCTIONS

Current bathroom taps have a max flow rate of 7 Litres per minute from the aerator and the hand spray.

If you are experiencing low flow from the spout: **Do not change the cartridge**

- Unscrew and clean the aerator -1
- Check the supply lines for kinks or obstructions-2
- Make sure the supply line stops are fully on. (Not shown.)



Care and Maintenance Instructions Model : Z3458

Care of external finishes

Nicolazzi products are all authentic finishes that have not been coated with any product. After each use, pat the fixture down to remove any excess water. This will prevent any water spotting or mineral build-up. Use only soft liquid soap and water to clean the surface. Use a soft brush to clean any gaps. Avoid any products that have ammonia or alcohol like Windex, Jif or Ajax. These products can damage the finish leaving black or white spots. Never use on abrasive products on tap ware or this will void the warranty.

Live Finishes DO NOT carry a warranty as they are living finishes and will change over time.

Raw Brass, Brush Brass (To make the brass lighter again rub the brass tap with lemon juice, this will lighten the dark colouring).

Shiny Brass, Polished Nickel has an ageing process and will tarnish over time.

Tuscan Brass is a living finish and also carries NO warranty. It will lighten with use. To extend the life of the finish, apply Bruno's Wax by patting it on, letting it dry and patting it off. Never rub or buff this finish.

WARNING: The use of cleaning products not recommended might irreparably harm the surfaces of the tap, which in such cases are not covered by our warranty.

Lime scale build up

The tap is fitted with an aeration device in the Hot/Cold water outlet.

This may need occasional cleaning especially in hard water areas.

This is accomplished by unscrewing the outlet in a counter clockwise direction, dismantling and leaving the inner screen mesh immersed over night in vinegar