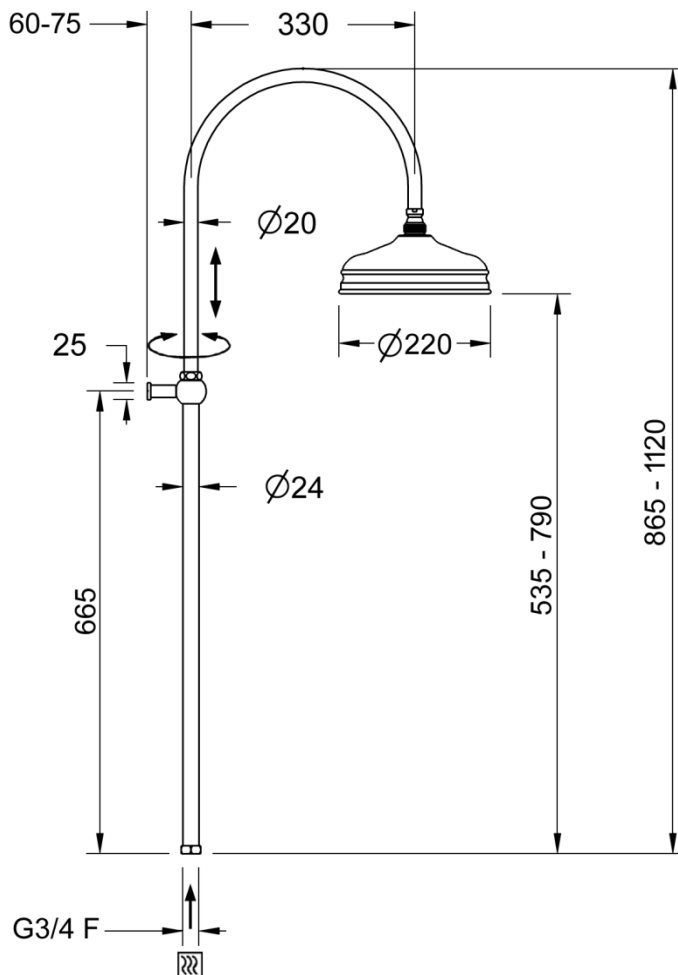




CALFLEX®

Colonial adj. brass shower column w/out hand shower
Art: 5-30025/220

Specifications



Shower head options



5-23015-Colonial showerhead
d150

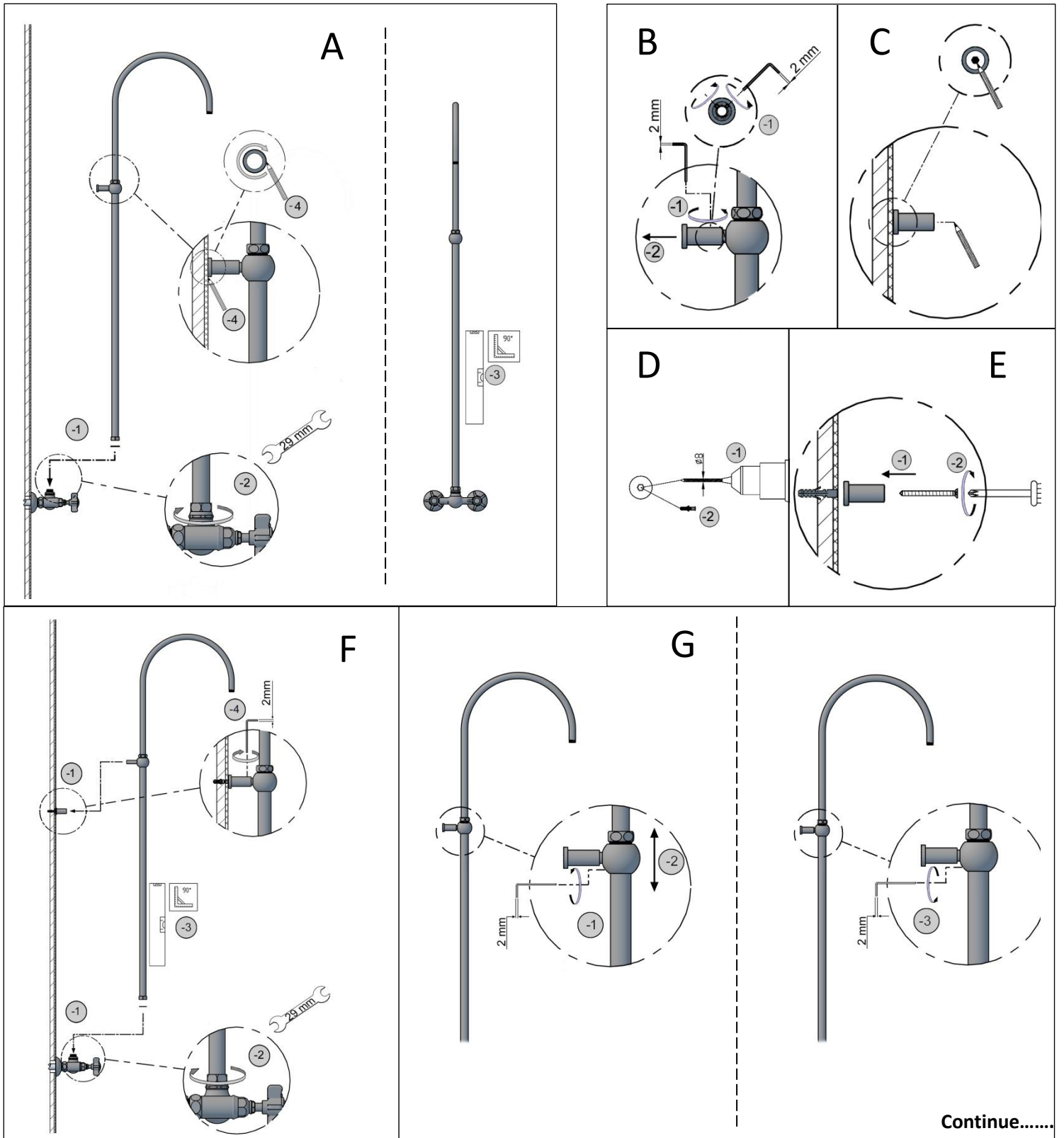


5-23030-Colonial showerhead
d300

- Handmade in Italy
- Suitable for even and uneven pressure
- No Liming shower heads

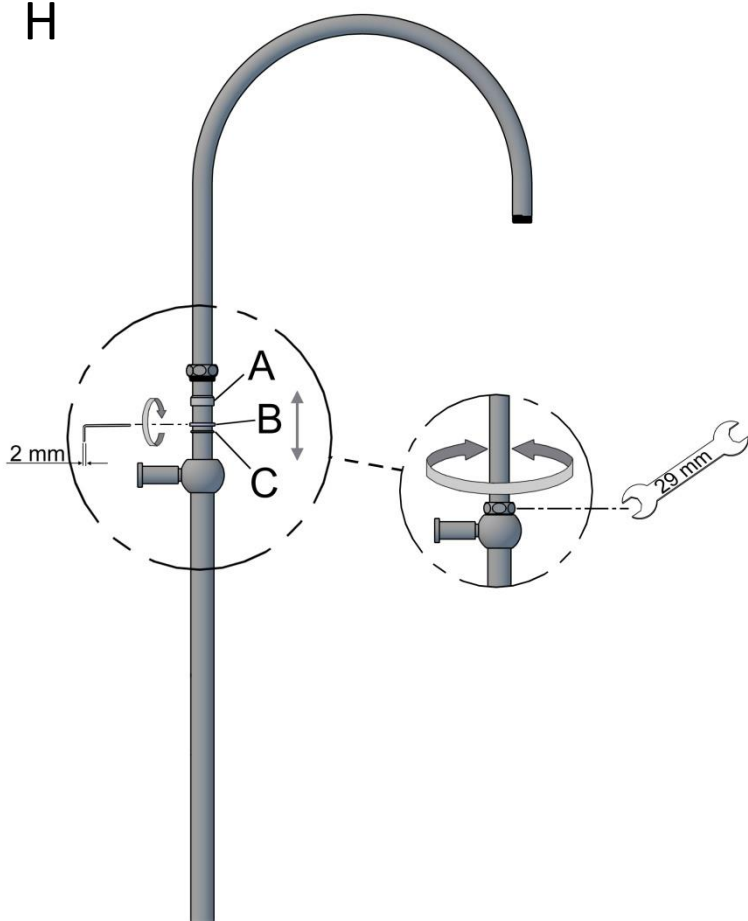


Installation Instructions Model : 5-30025/220



Installation Instructions Model : 5-30025/220

H



COLUMN SHOWER HIGHT ADJUSTMENT

“A” - TEFLON RING

“B” – COLLET

“C” – O-ring

- Adjust the collect “B” on the curved column pipe to the required height. Fix the collect in place by tightening the grub screw with a 2mm Allen key.
- Fix Teflon ring “A” together with the Collect “B” and O-ring “C” in place, and tighten the lock nut sufficiently to allow for the swing action of the curved column pipe.



Before use

- Turn on the Hot and Cold water supplies to the appropriate tapware.
- Maximum temperature for Hot water supply to the tapware is 62 °C.
- Minimum recommended pressure is 100 kPa — Maximum recommended pressure is 500 kPa.
- Check the installation carefully for leaks.
- If further building work is to be carried out in the vicinity of the tapware, it should be covered to prevent paint, adhesive, etc. from damaging the surface.

Care and Maintenance Instructions Model : 5-30025/220

Care of external finishes

All products are have authentic finishes that have not been coated with any product. After each use, pat the fixture down to remove any excess water. This will prevent any water spotting or mineral build-up. Use only soft liquid soap and water to clean the surface. Use a soft brush to clean any gaps. Avoid any products that have ammonia or alcohol like Windex, Jif or Ajax. These products can damage the finish leaving black or white spots. Never use on abrasive products on tap ware or this will devoid the warranty.

Live Finishes DO NOT carry a warranty as they are living finishes and will change over time.

Raw Brass, Brush Brass (To make the brass lighter again, rub the brass tap with lemon juice, this will lighten the dark colouring).

Shiny Brass, Polished Nickel has an ageing process and will tarnish over time.

Tuscan Brass is a living finish and also carries NO warranty. It will lighten with use. To extend the life of the finish, apply Bruno's Wax by patting it on, letting it dry and patting it off. Never rub or buff this finish.

WARNING: The use of cleaning products not recommended might irreparably harm the surfaces of the tap, which in such cases are not covered by our warranty.