



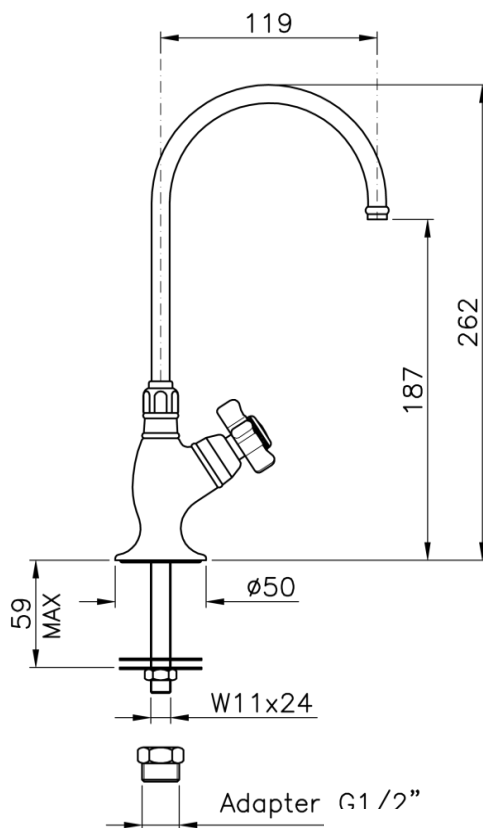
OFFICINA
NICOLAZZI
DAL 1960



FILTER TAP COLUMN SPOUT

Art: Z1635

Specifications



Available replacement handles:



- 11 Mini El Capitan



- 12 Mini Petit Mont Blanc



- 08 Mini Half Dome



- 13 Mini Dame Anglaise

- Handmade in Italy since 1960
- 1/4 Turn valves handmade at Nicolazzi Factory
- Lead Free Brass Compliant to AZ/NZS 3718
- Suitable even and uneven pressure
- Handles are interchangeable



WaterMark

WM22315

AS/NZS3662

Canterbury Sink & Tap Co.

Max/Min Operating
Pressure: 100/500kPa

OFFICINA
NICOLAZZI
DAL 1960

Important Notice Model : Z1635

CAREFULLY READ THROUGH THESE INSTRUCTIONS BEFORE INSTALLATION AND USE OF ALL TAP WARE AND WALL VALVES

INSTALLATION AND WARRANTY INSTRUCTIONS

TECHNICAL INFORMATION

All flexible hoses are designed and manufactured for use with water in exposed locations only. Do not expose to household cleaners, chlorine, chloride, hydrochloric acid or other corrosive chemicals.

All connections with threads M10x1 male must be hand tighten. Do not over tighten. Over tightening may cause damage to the hose.

All tap ware washers and o-rings are designed and manufactured for use with water. Do not expose to household cleaners, chlorine, chloride, hydrochloric acid or other corrosive chemicals.

Our tap ware is designed for use with the temperatures and pressures listed below:

- minimum cold water supply 10 °C
- minimum pressure 100 kPa
- maximum pressure 500 kPa
- maximum fixing torque value = 13.6 Nm

Please note: The recommended pressure for best performance is between 270 kPa and 420 kPa. More pressure than 420 kPa or less pressure than 270 kPa may affect the diverting action in side spray tap ware.

Do not use any Nicolazzi tap ware with sulphurous water.

The minimum temperature for all tap ware is 10 degrees Celcius . Below 10 degrees Celcius will void the warranty.

When available, filter systems must be placed between the cold supply line and the tap ware

Don't modify the tap ware and their components.

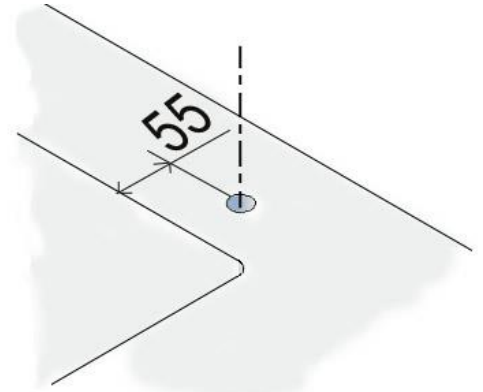
Use only original spare parts if there are replacements to be ordered. Installation must be made by authorized plumbers or installers. Improper installation or diagnosis of problems is not covered by the warranty. Yearly maintenance of cleaning and flushing is recommended.

Operation and use of any tap ware or wall valve that do not conform to these technical instructions will void the warranty.

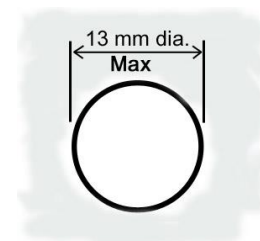
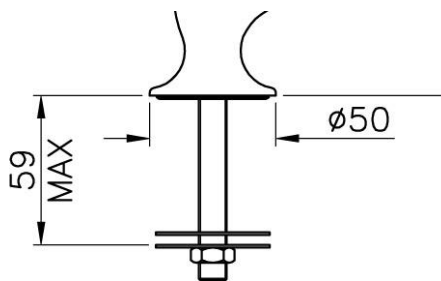
Installation Instructions Model : Z1635

1 Preparation

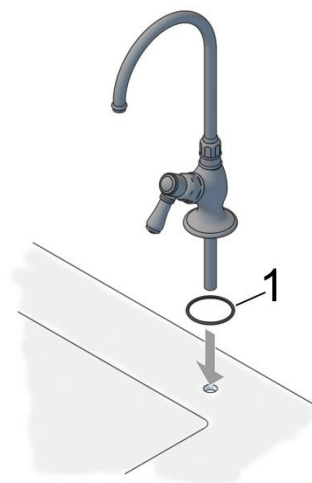
- Flush out the pipework to remove any foreign matter.
- Drill a cut out hole on the wash basin and allow for a clearance from any of the basin edges of **55mm**. The base of the tapware is 50mm in diameter.



- ## 2
- Tap cut out hole sizes : Maximum **13mm** diameter.
 - Under side clearance : Maximum **59mm**



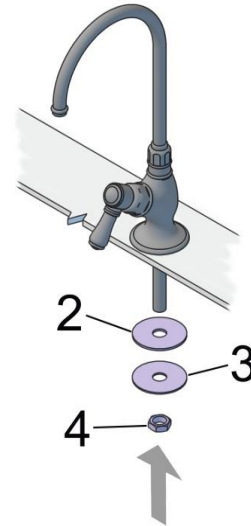
- ## 3
- Locate the tapware in the hole of the wash basin, placing the **O-ring 1**, between the tap section base and the upper surface of the wash basin.



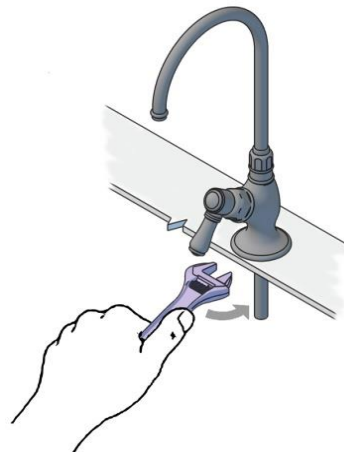
Continue.....

Installation Instructions Model : Z1635

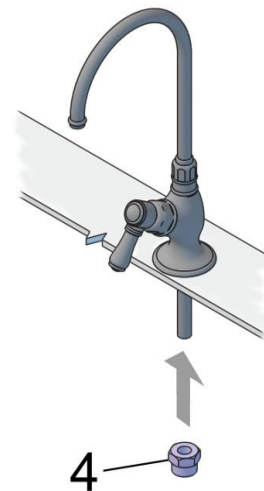
- 4
- On the underside of the wash basin, fit the rubber washer **2**, followed by the metal disk washer **3**, and fix in place using the supplied nut **4**.



- 5
- Under the wash basin, tighten the nut using a suitable spanner or shifter.



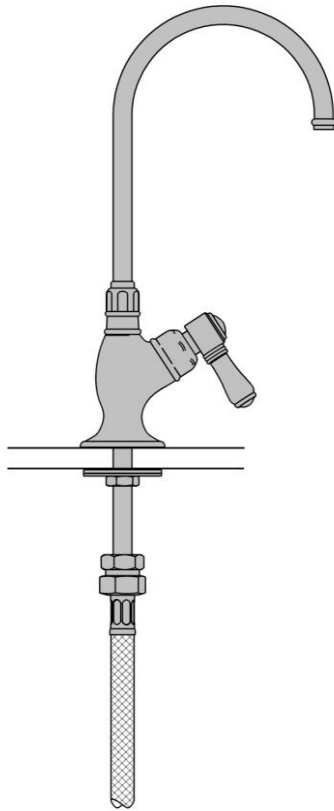
- 6
- Securely fit the 1/2" adaptor **4**, to the end of the threaded section.



Continue.....

Installation Instructions Model : Z1635

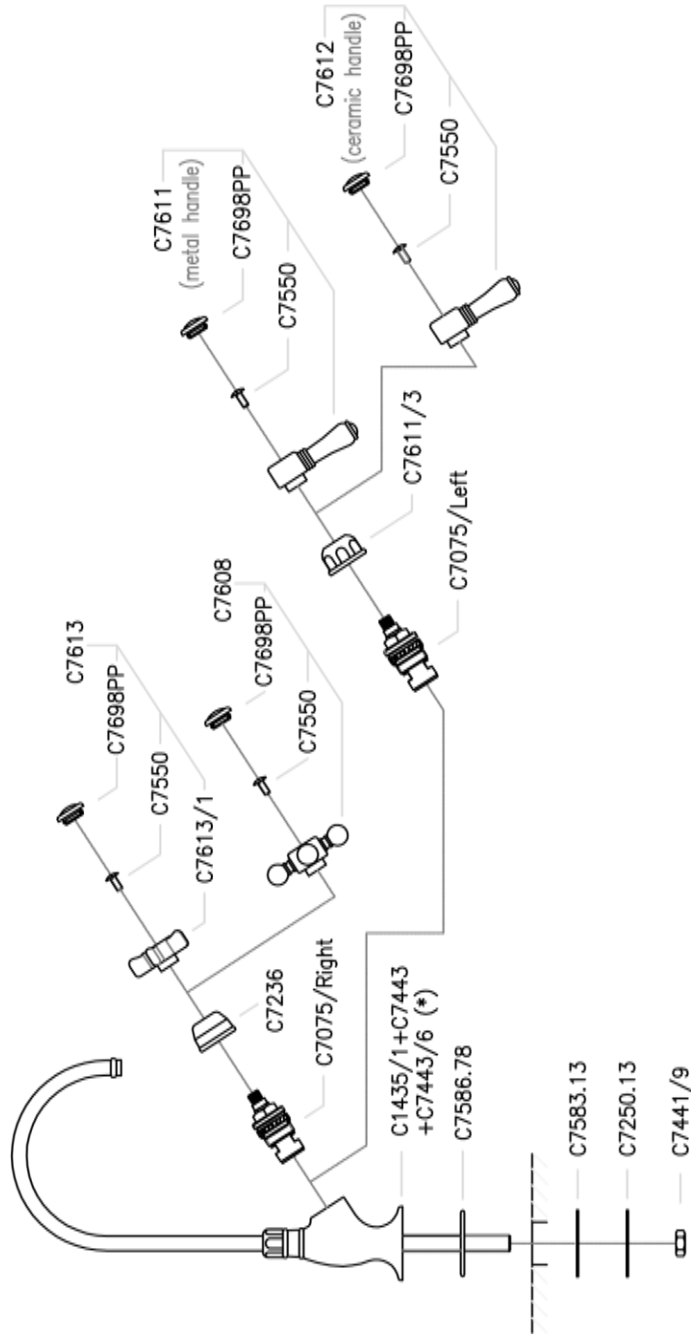
- 7
- Connect hot and cold water supply to the adaptor .
 - Ensure all connections are firmly tightened.



Before use

- Turn on the water supply to the tap. (Stop valve not shown)
- Maximum temperature for Hot water supply to the tapware is 62 °C.
- Minimum recommended pressure is 100 kPa — Maximum recommended pressure is 500 kPa.
- Check the installation carefully for leaks.
- If further building work is to be carried out in the vicinity of the tapware, it should be covered to prevent paint, adhesive, etc. from damaging the surface.

Spare Parts list Model : Z1635



(*) NOT AVAILABLE AS SPARE PART

Care and Maintenance Instructions Model : Z1635

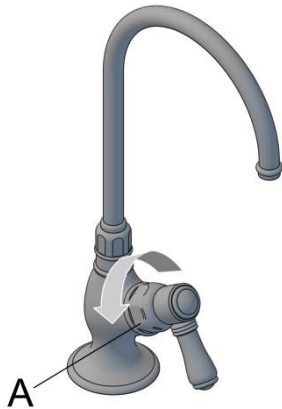
MAINTENANCE FOR SINGLE HOLE/SINGLE LEVER TAP WARE

INSTRUCTIONS FOR REPLACEMENT OF THE C7075 CARTRIDGE

Do not replace the cartridge if there is low flow or no flow. Low flow or no flow is caused by obstruction or kinking of supply hoses.

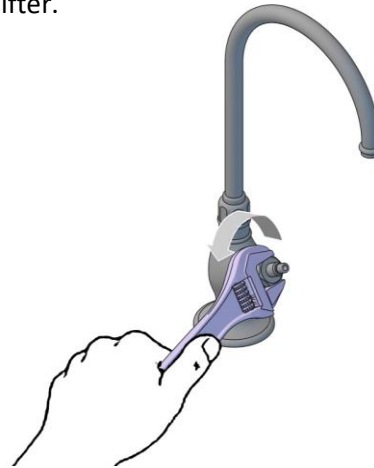
1

- Turn off the water supply line to the tap. (Not shown).
- Loosen the handle and flange **A**.



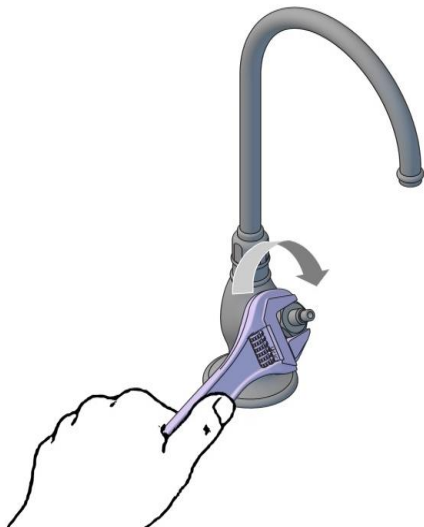
2

- Remove the handle and flange. See “Removing and replacing Handle section”.
- Remove the cartridge with a smooth jawed 17mm shifter.



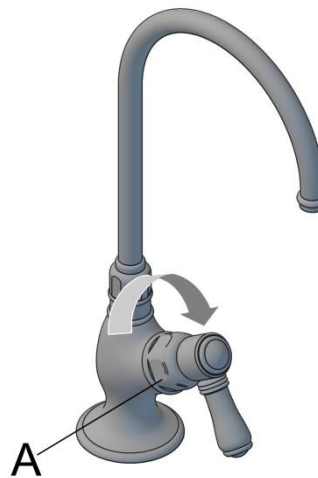
3

- Install new cartridge.
- Secure the cartridge with a smooth jawed shifter.



4

- Install the handle and flange **A**, and hand tighten.
- Turn on supply line and test for leaks. (Not shown).



Note: Do not over tighten as this could damage the ceramic cartridge!

Care and Maintenance Instructions Model : Z1635

Removing and replacing a handle

MODEL SHOWN : Z1635

- 1 Using a box cutter or similar sharp edged tool, carefully remove the indice button.



- 2 Unscrew the retaining screw with a Phillips head screw driver.



- 3 Remove the handle from the cartridge spline.



- 4 To reassemble, reverse the disassembly procedure.
- The retaining flange only needs to be hand tight.

Note: Do not over tighten as this could damage the ceramic cartridge!

Note: At any time, should the handle feel loose, retighten the retaining screw.

Available replacement handles:

- 11 Mini El Capitan
- 12 Mini Petit Mont Blanc
- 08 Mini Half Dome
- 13 Mini Dame Anglaise

Care and Maintenance Instructions Model : Z1635

Care of external finishes

Nicolazzi products are all authentic finishes that have not been coated with any product. After each use, pat the fixture down to remove any excess water. This will prevent any water spotting or mineral build-up. Use only soft liquid soap and water to clean the surface. Use a soft brush to clean any gaps. Avoid any products that have ammonia or alcohol like Windex, Jif or Ajax. These products can damage the finish leaving black or white spots. Never use on abrasive products on tap ware or this will void the warranty.

Live Finishes DO NOT carry a warranty as they are living finishes and will change over time.

Raw Brass, Brush Brass (To make the brass lighter again rub the brass tap with lemon juice, this will lighten the dark colouring).

Shiny Brass, Polished Nickel has an ageing process and will tarnish over time.

Tuscan Brass is a living finish and also carries NO warranty. It will lighten with use. To extend the life of the finish, apply Bruno's Wax by patting it on, letting it dry and patting it off. Never rub or buff this finish.

WARNING: The use of cleaning products not recommended might irreparably harm the surfaces of the tap, which in such cases are not covered by our warranty.

Lime scale build up

The tap is fitted with an aeration device in the Hot/Cold water outlet.

This may need occasional cleaning especially in hard water areas.

This is accomplished by unscrewing the outlet in a counter clockwise direction, dismantling and leaving the inner screen mesh immersed over night in vinegar